



## TECHNICAL SPECIFICATIONS



**Dimensions:** 54-55 cm seat centres  
55 cm depth  
86 cm height

**Backrest:** Cold moulded polyurethane foam 'UNIBLOCK 2' system, which wraps an injected polypropylene frame completely. All this structure is protected by a texturized injected polypropylene seat shell. Polyurethane density 55 Kg/m<sup>3</sup>.

**Seat:** Cold moulded polyurethane foam 'UNIBLOCK 2' system, which wraps an injected polypropylene frame completely. All this structure is protected by a texturized injected polypropylene seat shell. The seat pan folds by means of an automatic noiseless maintenance-free double spring. Polyurethane density 65 Kg/m<sup>3</sup>.

**Side panel:** Texturized injected polypropylene, reinforced with glass fibre. Anti-panic polystyrene writing pad system. Concealed floor fixation system.

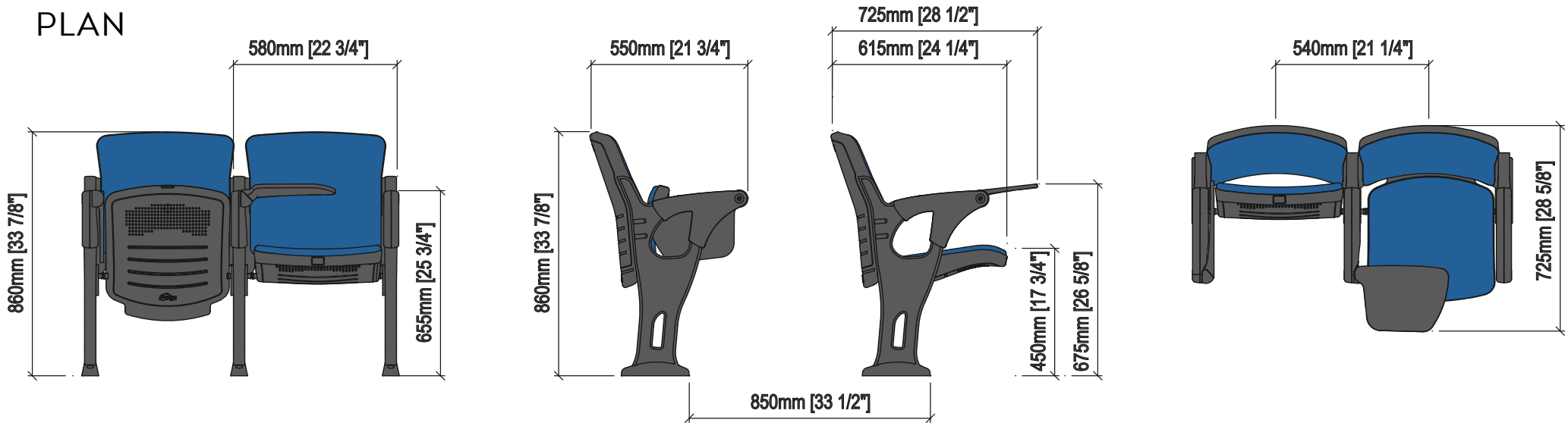
**Armrest:** Included in the very side panel

**Volume:** 0.08 m<sup>3</sup> / unit

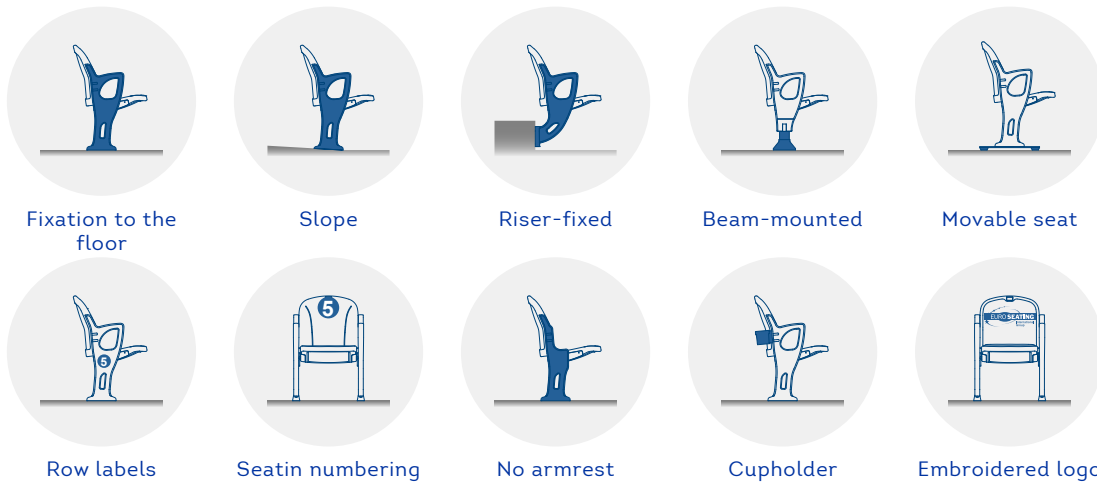
**Weight:** 12 Kg not assembled

# MAIA PL

## PLAN



## OPTIONS



## CERTIFICATES

BS 5852:2006  
 BS-EN 1021-1:2006  
 CAL TB 117-2013, SECTION 1  
 UNE 23.727-90 1R (M1)  
 UNE-EN 1021-1:2006 / UNE-EN 1021-2:2006  
 BS 5852:1979 Parte 1  
 UNE 23.727-90 1R (M2 / M3) Opcional  
 UNE EN 12727:01 Uso Público Severo (Nivel 4)

Fabrics	Fire barrier	Foam	Plastic	Seat
•				
•				
•				
•	•			
•	•	•		
	•			
			•	
				•



Euro Seating reserves the right to modify the dimensions and characteristics without prior notice. All dimensions and specifications are given for information purposes only.