

DIAMOND V05

TECHNICAL SPECIFICATIONS



Dimensions: 55-58 cm seat centres
73.5 cm depth
100 cm + 13 cm height

Backrest: Cold moulded polyurethane foam 'UNIBLOCK 2' system, which wraps an injected polypropylene frame completely. All this structure is protected by a texturized injected polypropylene seat shell. Polyurethane density 55 Kg/m³

Seat: Cold moulded polyurethane foam 'UNIBLOCK 2' system, which wraps an injected polypropylene frame completely. All this structure is protected by a texturized injected polypropylene seat shell. Fixed in open position, anchored to the side panel by means of steel plates. Polyurethane density 65 Kg/m³.

Side panel: Texturized injected polypropylene, 40mm End row panels completely upholstered. Concealed floor fixation system.

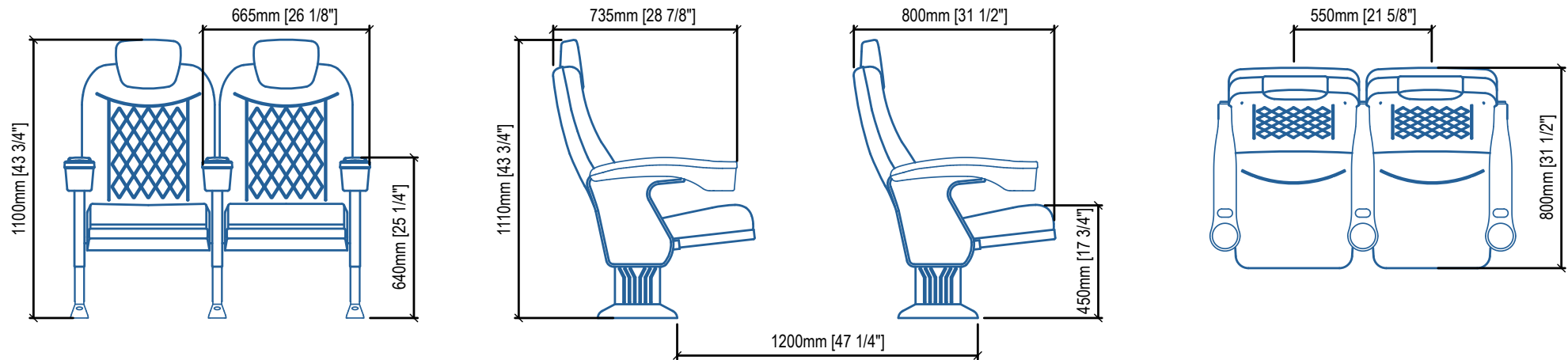
Armrest: Texturized injected polypropylene, including integrated cupholder.

Volume: 0.18 m³ por unidad

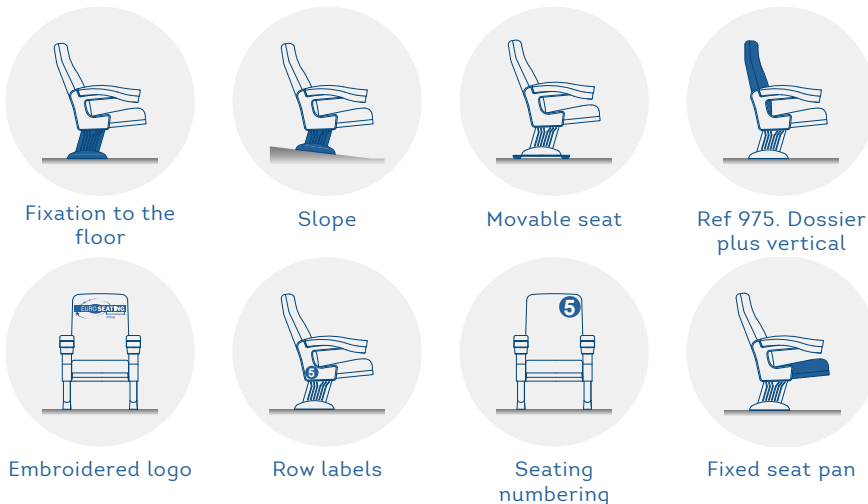
Weight: 18.20 Kg desmontada

DIAMOND V05

DRAWING



OPTIONS



CERTIFICATES

BS 5852:2006
BS-EN 1021-1:2006
CAL TB 117-2013, SECTION 1
UNE 23.727-90 IR (M1)
UNE-EN 1021-1:2006 / UNE-EN 1021-2:2006
BS 5852:1979 Parte 1

Fabrics	Fire Barrier	Foam
•		
•		
•		
•	•	
•	•	•
	•	



Euro Seating reserves the right to modify the dimensions and characteristics without prior notice. All dimensions and specifications are given for information purposes only.