

TECHNICAL SPECIFICATIONS



Dimensions: 50-52 cm seat centres
44.5 cm depth
92 cm height

Backrest: Manufactured over a MDF board, bowed in roof tile-shaped, on which an open cell polyurethane foam block upholstered by means of a fabric cover is fixed. All this structure is protected by a wood covering and a perimeter frame in beech compressed wood. Foam density, 40 Kg/m³.

Seat: Manufactured over a MDF board, bowed in roof tile-shaped, on which an open cell polyurethane foam block upholstered by means of a fabric cover is fixed. All this structure is protected by a wood covering and a perimeter frame in beech compressed wood. The seat pan folds by means of an automatic noiseless maintenance-free double spring. Foam density, 40 Kg/m³.

Side panel: Wood fibres board, finish in beech. Steel central leg. Concelaed floor fixation system.

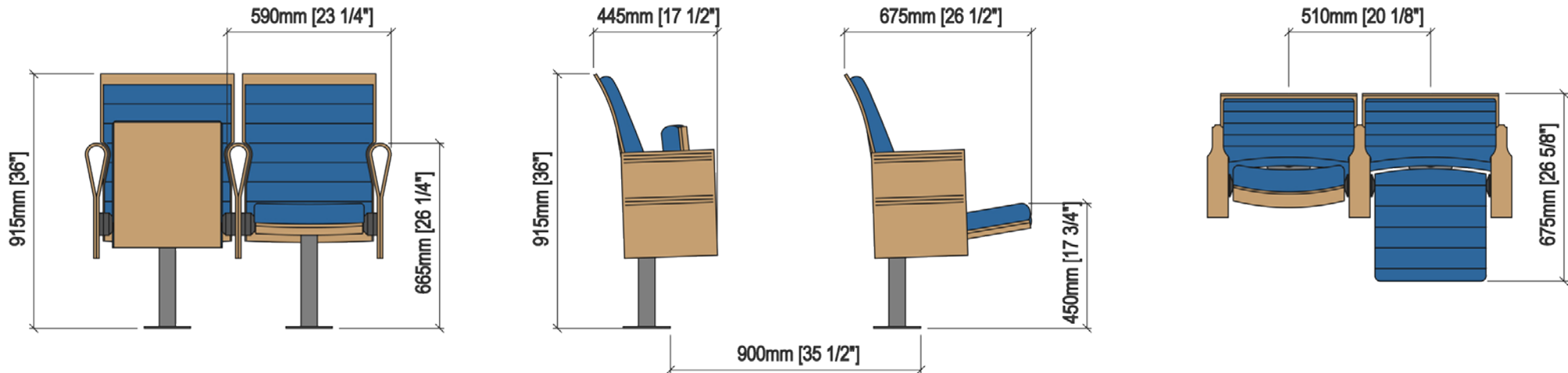
Armrest: Included in the very side panel.

Volume: 0.13 m³/unit

Weight: 16.20 Kg not assembled



DRAWING



OPTIONS



CERTIFICATES

BS 5852:2006
BS-EN 1021-1:2006
CAL TB 117-2013, SECTION 1
UNE 23.727-90 1R (M1)
UNE-EN 1021-1:2006 / UNE-EN 1021-2:2006
BS 5852:1979 Parte 1
Acoustic absorption

Fabrics	Fire barrier	Foam	Seat
•			
•			
•			
•	•		
•	•	•	•
	•		
			•



Euro Seating reserves the right to modify the dimensions and characteristics without prior notice. All dimensions and specifications are given for information purposes only.