

MICRA FLEXING

Micra Series

TECHNICAL SPECIFICATIONS



Dimensions: 52 cm seat centres
18 cm depth
76.5 cm height

Backrest: Cold moulded polyurethane foam 'UNIBLOCK 2' system, which wraps a steel frame completely. All this structure is protected by a texturized injected polypropylene seat shell.
Polyurethane density 55 Kg/m³

Seat: Cold moulded polyurethane foam 'UNIBLOCK 2' system, which wraps a steel frame completely. All this structure is protected by a texturized injected polypropylene seat shell.
When the seat pan unfolds, the backrest leans and raises, thus adopting a standard position and so, the armrests remain in horizontal position, everything in a same single synchronized movement.
The seat pan folds under an automatic noiseless maintenance-free gravity system.
Polyurethane density 65 Kg/m³

Side Panel: Aluminium injection, finish in epoxy paint, fixed over a rectangular carbon steel bar.
End row panels in texturized injected polypropylene.
Concealed floor fixation system.

Armrest: Rounded texturized injected polypropylene.

Volume: 0.08 m³ / unit

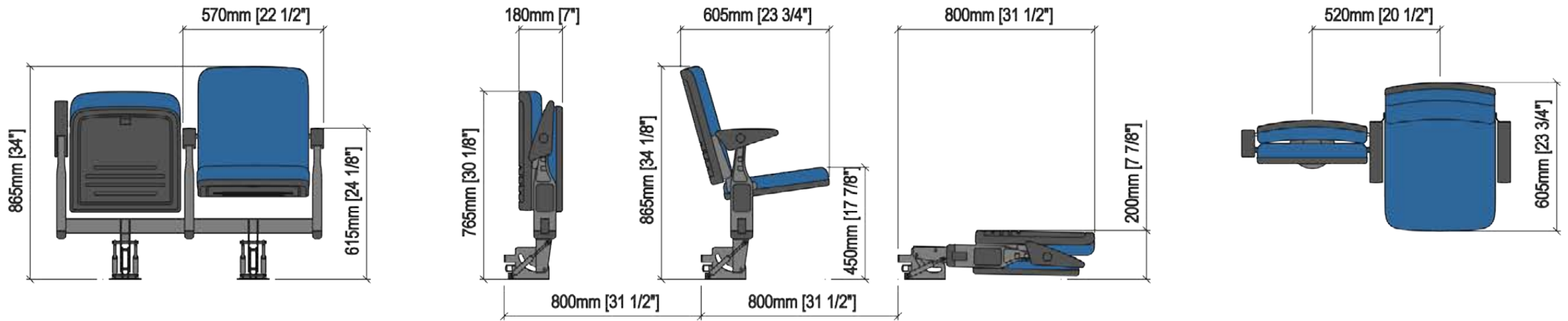
Weight: 20.00 Kg not assembled



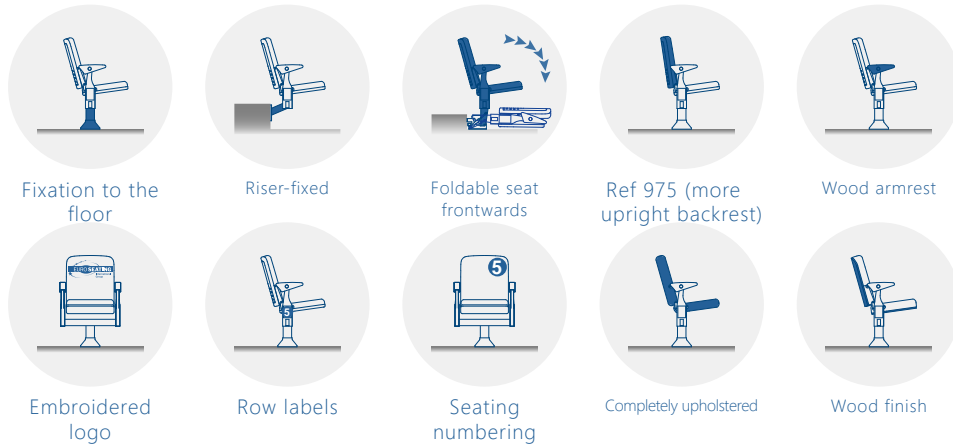
MICRA FLEXING

Micra Series

DRAWING



OPTIONS



CERTIFICATES

BS 5852:2006
 BS-EN 1021-1:2006
 CAL TB 117-2013, SECTION 1
 UNE 23.727-90 1R (M1)
 UNE-EN 1021-1:2006 / UNE-EN 1021-2:2006
 BS 5852:1979 Parte 1

Fabric	Fire Barrier	Foam	Seat
●			
●			
●			
●	●		
●	●	●	●
	●		

Euro Seating reserves the right to modify the dimensions and characteristics without prior notice. All dimensions and specifications are given for information purposes only.

