

### TECHNICAL SPECIFICATIONS

**Dimensions:** 52 cm seat centres  
18 cm depth  
76.5 cm height

**Backrest:** Cold moulded polyurethane foam 'UNIBLOCK 2' system, which wraps a steel frame completely. All this structure is protected by a texturized injected polypropylene seat shell. Polyurethane density 55 Kg/m<sup>3</sup>

**Seat:** Cold moulded polyurethane foam 'UNIBLOCK 2' system, which wraps a steel frame completely. All this structure is protected by a texturized injected polypropylene seat shell. When the seat pan unfolds, the backrest leans and raises, thus adopting a standard position and so, the armrests remain in horizontal position, everything in a same single synchronized movement. The seat pan folds under an automatic noiseless maintenance-free gravity system. Polyurethane density 65 Kg/m<sup>3</sup>

**Side Panel:** Aluminium injection, finish in epoxy paint, fixed over a rectangular carbon steel bar. Anti-panic polystyrene writing pad system with interior steel structure, located in the interior of the side panel. End row panels in texturized injected polypropylene. Concealed floor fixation system.

**Armrest:** Rounded texturized injected polypropylene.

**Volume:** 0.08 m<sup>3</sup> / unit

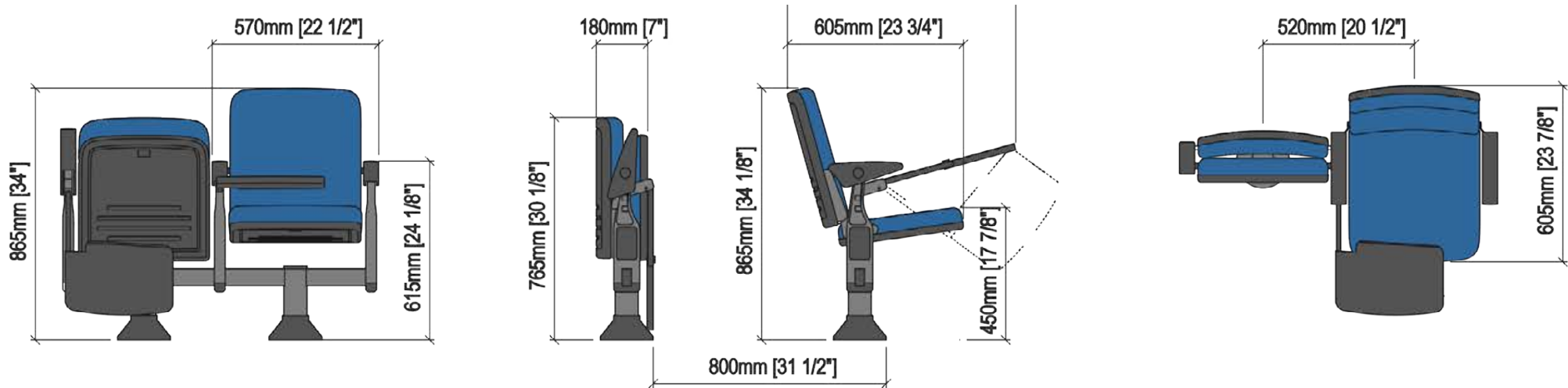
**Weight:** 18.50 Kg not assembled



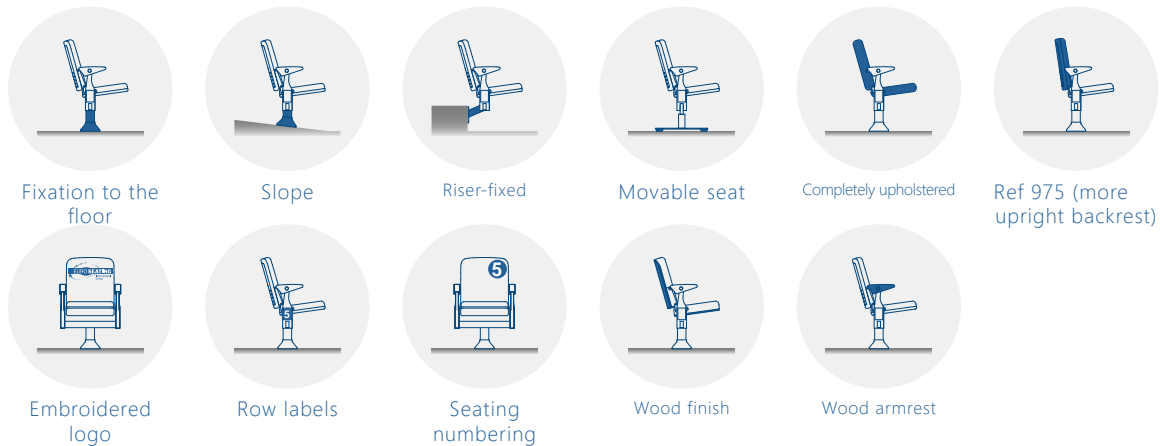
# MICRA PL

## Micra Series

### DRAWING



### OPTIONS



### CERTIFICATES

BS 5852:2006  
 BS-EN 1021-1:2006  
 CAL TB 117-2013, SECTION 1  
 UNE 23.727-90 1R (M1)  
 UNE-EN 1021-1:2006 / UNE-EN 1021-2:2006  
 BS 5852:1979 Parte 1

Fabric	Fire Barrier	Foam	Seat
●			
●			
●			
●	●		
●	●	●	●
	●		



Euro Seating reserves the right to modify the dimensions and characteristics without prior notice. All dimensions and specifications are given for information purposes only.