

MICRA TEK PAD FLEXING

Micra Series

TECHNICAL SPECIFICATIONS

Dimensions: 50 cm seat centres
15.5 cm depth
83.5 cm height

Backrest: Extrusion blow moulded in texturized high-density polyethylene.
Structure fixed over an open cell polyurethane foam block upholstered by means of a fabric cover.
Foam density, 40 Kg/m³

Seat: Extrusion blow moulded in texturized high-density polyethylene.
Structure fixed over an open cell polyurethane foam block upholstered by means of a fabric cover.
When the seat pan unfolds, the backrest leans and raises, thus adopting a standard position and so, the armrests remain in horizontal position, everything in a same single synchronized movement.

The seat pan folds under an automatic noiseless maintenance-free gravity system
Foam density, 40 Kg/m³

Side Panel: Aluminium injection, finish in epoxy paint, fixed over a rectangular carbon steel bar.
End row panels in texturized injected polypropylene.
Concealed floor fixation system.

Armrest: Rounded texturized injected polypropylene.

Volume: 0.09 m³ / unit

Weight: 18.00 Kg not assembled

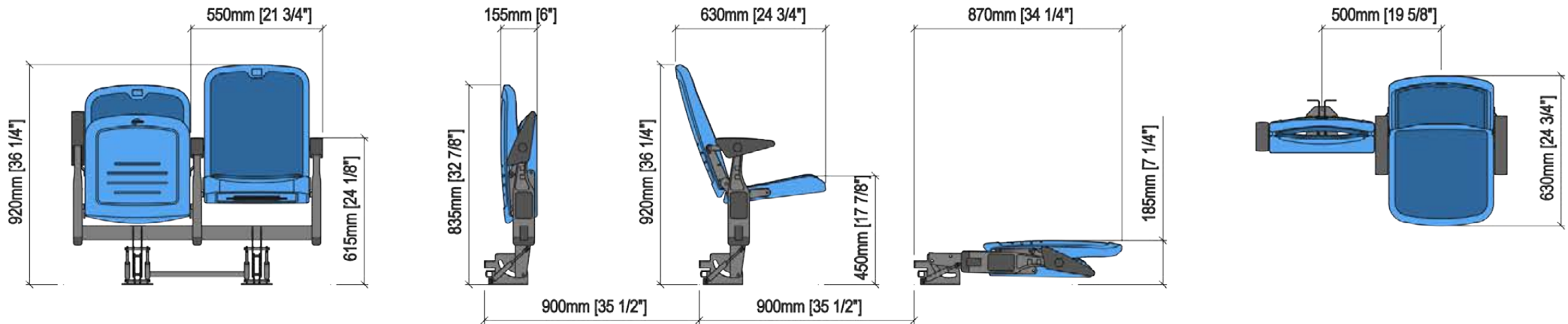


MICRA TEK PAD FLEXING

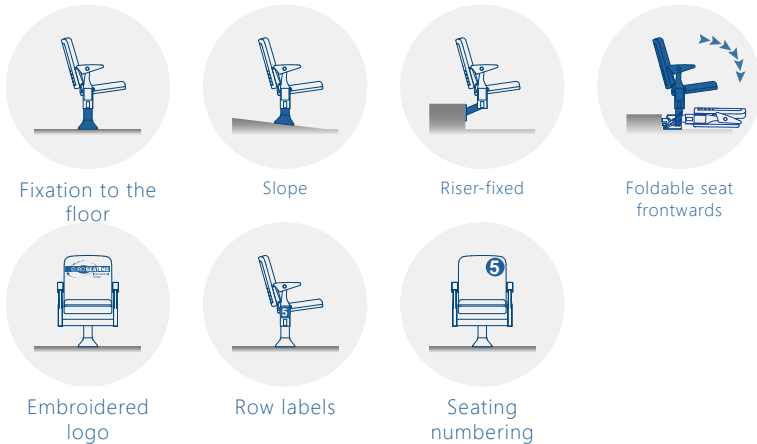
Micra Series



DRAWING



OPTIONS



CERTIFICATES

- BS 5852:2006
- BS-EN 1021-1:2006
- CAL TB 117-2013, SECTION 1
- UNE 23.727-90 1R (M1)
- UNE-EN 1021-1:2006 / UNE-EN 1021-2:2006
- BS 5852:1979 Parte 1
- UNE 23.727-90 1R (M2 / M3) Opcional

	Fabric	Fire Barrier	Foam	Plastic
BS 5852:2006	●			
BS-EN 1021-1:2006	●			
CAL TB 117-2013, SECTION 1	●			
UNE 23.727-90 1R (M1)	●	●		
UNE-EN 1021-1:2006 / UNE-EN 1021-2:2006	●	●	●	
BS 5852:1979 Parte 1		●		
UNE 23.727-90 1R (M2 / M3) Opcional				●



Euro Seating reserves the right to modify the dimensions and characteristics without prior notice. All dimensions and specifications are given for information purposes only.