

# MOZART PLUS PL

## TECHNICAL SPECIFICATIONS



**Dimensions:** 55 - 57 cm seat centres  
52 cm depth  
95 cm height

**Backrest:** Cold moulded polyurethane foam, which wraps an injected polypropylene frame completely. It is later upholstered by means of a fabric cover, everything is protected by laminated 3D finish with LYF system. Polyurethane density 55 Kg/m<sup>3</sup>.

**Seat:** Cold moulded polyurethane foam, which wraps an injected polypropylene frame completely. It is later upholstered by means of a fabric cover. The seat pan folds by means of an automatic noiseless maintenance-free double spring. Polyurethane density 65 Kg/m<sup>3</sup>

**Side panel:** Texturized injected polypropylene, 70mm. Anti-panic polystyrene writing pad system with interior steel structure, located in the interior of the side panel. End row panels completely upholstered. Concealed floor fixation system.

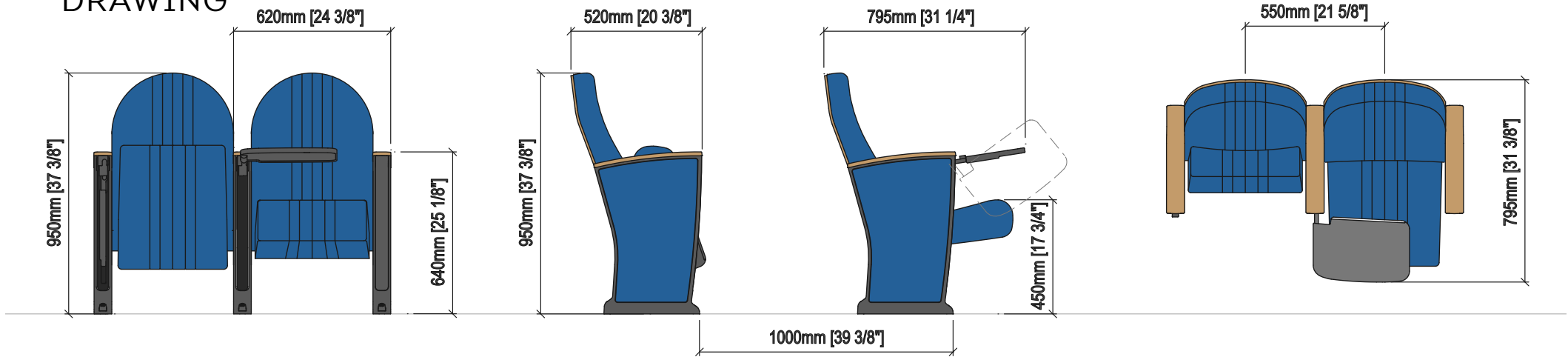
**Armrest:** Rectangular texturized injected polypropylene, optionally by laminated 3D finish with LYF system.

**Volume:** 0.13 m<sup>3</sup> / unit

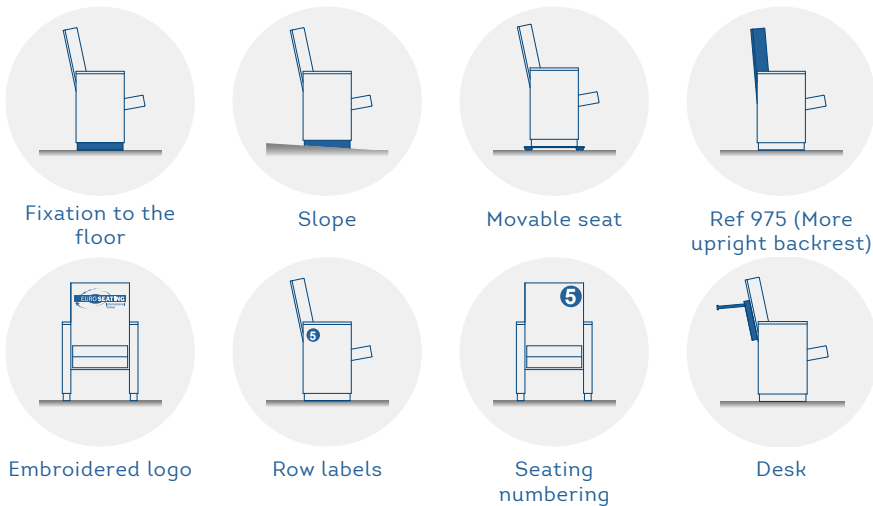
**Weight:** 19.5 Kg not assembled

# MOZART PLUS PL

## DRAWING



## OPTIONS



## CERTIFICATES

BS 5852:2006  
BS-EN 1021-1:2006  
CAL TB 117-2013, SECTION 1  
UNE 23.727-90 1R (M1)  
UNE-EN 1021-1:2006 / UNE-EN 1021-2:2006  
BS 5852:1979 Parte 1

	Fabrics	Fire barrier	Foam	Seat
BS 5852:2006	•			
BS-EN 1021-1:2006	•			
CAL TB 117-2013, SECTION 1	•			
UNE 23.727-90 1R (M1)	•	•		
UNE-EN 1021-1:2006 / UNE-EN 1021-2:2006	•	•	•	•
BS 5852:1979 Parte 1		•		



Euro Seating reserves the right to modify the dimensions and characteristics without prior notice. All dimensions and specifications are given for information purposes only.