

TECHNICAL SPECIFICATIONS



Dimensions: 54-56 cm seat centres
47.5 cm depth
98.5 cm height

Backrest: Fully upholstered by means of a fabric cover, made up of an open cell polyurethane foam block and a solid wood frame with thin canvas strips. All this structure is protected by a compressed wood cover. Foam density, 40 Kg/m³.

Seat: Cold moulded polyurethane foam, which wraps an injected polypropylene frame completely. It is later upholstered by means of a fabric cover. The seat pan folds by means of an automatic noiseless maintenance-free double spring. Polyurethane density 65 Kg/m³.

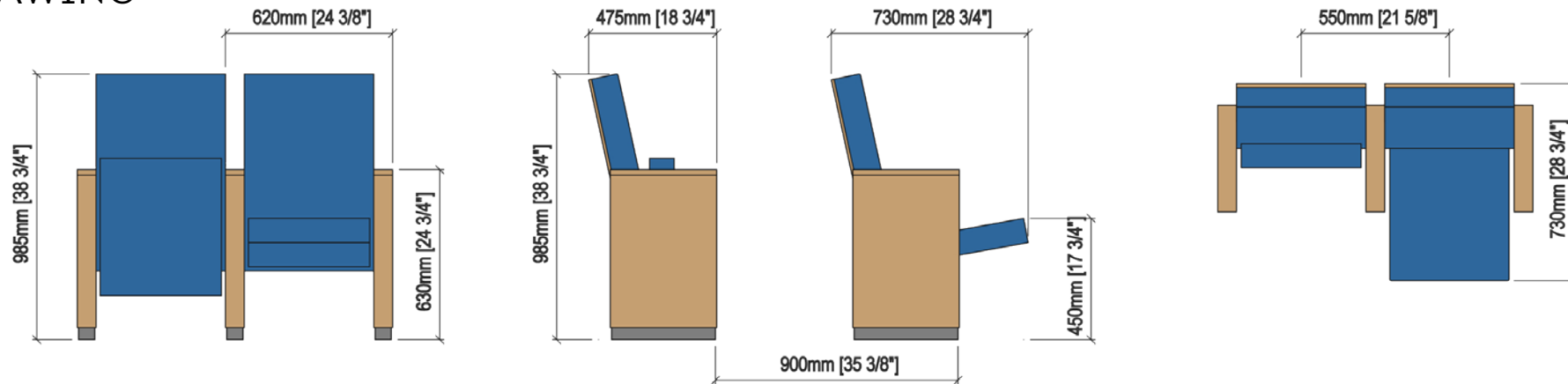
Side panel: Wood fibres board, finish in beech. Concealed floor fixation system by means of a steel plinth.

Armrest: Included in the very side panel.

Volume: 0.160 m³/unit

Weight: 26.00 Kg not assembled

DRAWING



OPTIONS



CERTIFICATES

	Fabrics	Fire Barrier	Foam	Seat
BS 5852:2006	•			
BS-EN 1021-1:2006	•			
CAL TB 117-2013, SECTION 1	•			
UNE 23.727-90 1R (M1)	•	•		
UNE-EN 1021-1:2006 / UNE-EN 1021-2:2006	•	•	•	•
BS 5852:1979 Parte 1		•		
Coefficiente de absorción acústica		•		•



Euro Seating reserves the right to modify the dimensions and characteristics without prior notice. All dimensions and specifications are given for information purposes only.