

## TECHNICAL SPECIFICATIONS



**Dimensions:** 54-56 cm seat centres  
54 cm depth  
98 cm height

**Backrest:** Fully upholstered by means of a fabric cover, made up of an open cell polyurethane foam block and a solid wood frame with thin canvas strips. All this structure is protected by a compressed wood cover. Foam density, 40 Kg/m<sup>3</sup>.

**Seat:** Cold moulded polyurethane foam, which wraps an injected polypropylene frame completely. It is later upholstered by means of a fabric cover. The seat pan folds by means of an automatic noiseless maintenance-free double spring. Polyurethane density 65 Kg/m<sup>3</sup>.

**Side panel:** Wood fibres board, finish in beech. Anti-panic polystyrene writing pad system with interior steel structure, located in the interior of the side panel. Concealed floor fixation system by means of a steel plinth.

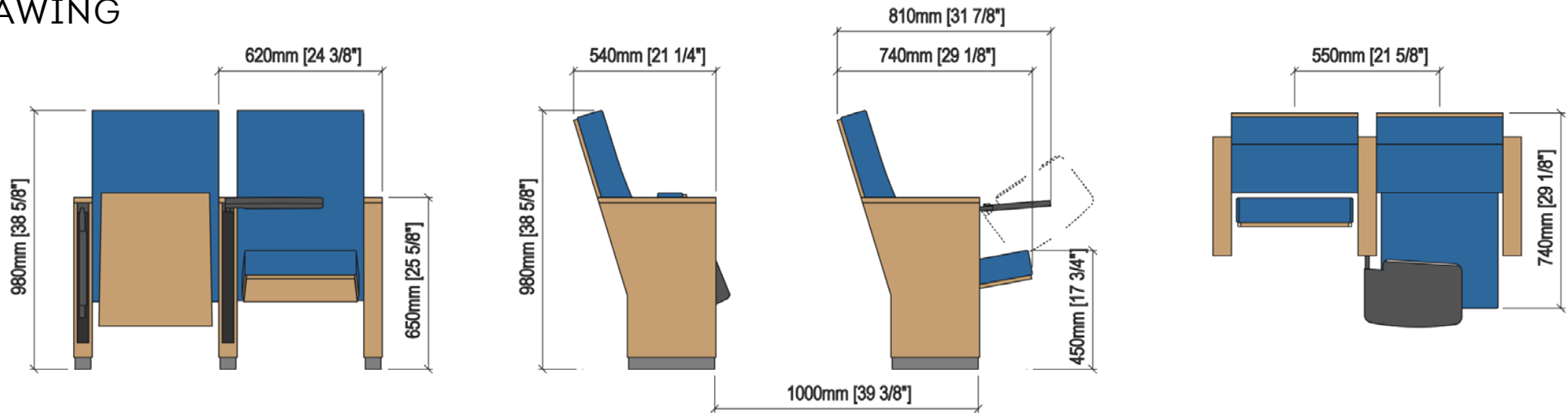
**Armrest:** Included in the very side panel.

**Volume:** 0.160 m<sup>3</sup>/unit

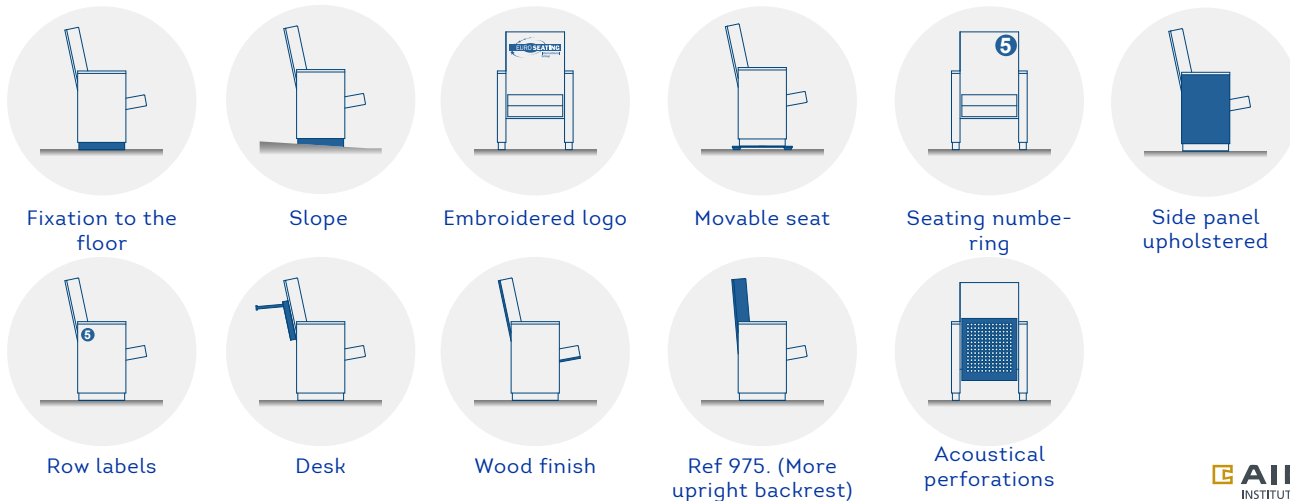
**Weight:** 24.65 Kg not assembled

# ZENON PL

## DRAWING



## OPTIONS



## CERTIFICATES

BS 5852:2006  
BS-EN 1021-1:2006  
CAL TB 117-2013, SECTION 1  
UNE 23.727-90 1R (M1)  
UNE-EN 1021-1:2006 / UNE-EN 1021-2:2006  
BS 5852:1979 Parte 1

Fabrics	Fire Barrier	Foam	Seat
•			
•			
•			
•	•		
•	•	•	•
	•		



Euro Seating reserves the right to modify the dimensions and characteristics without prior notice. All dimensions and specifications are given for information purposes only.